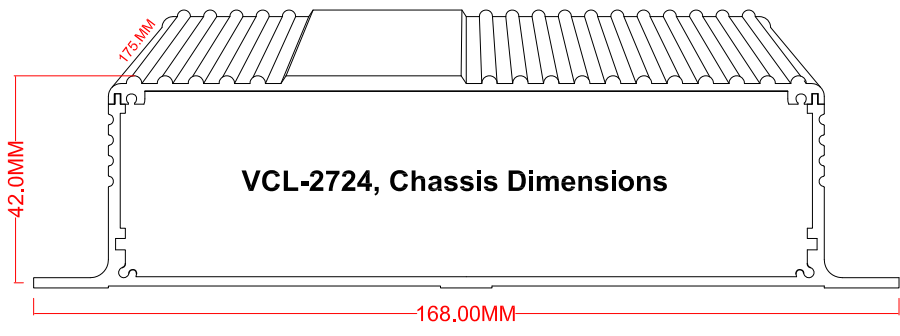


REVISION
 DATE
 NAME
 CHECK
 CHECK
 CHECK
 APPR.

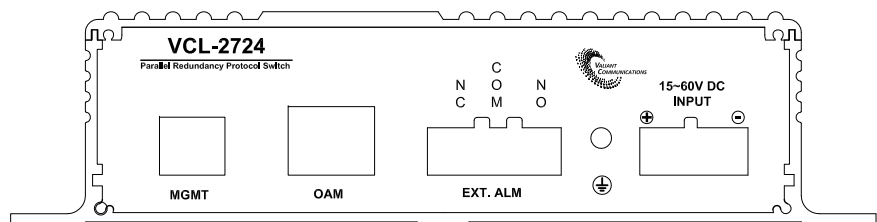
1 2 3 4 5 6 7 8 9 10 11 12 13 14 15

Mechanical Drawing of VCL-2724, Parallel Redundancy Protocol Switch

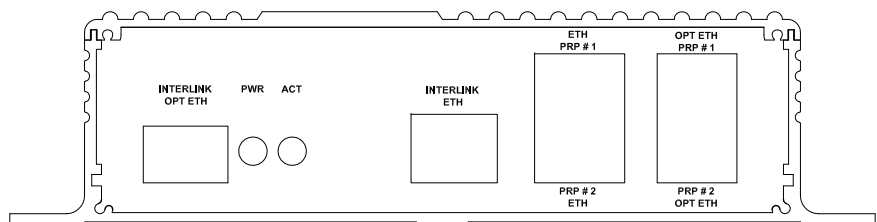


VCL-2724	
Mechanical Dimensions	
Width	168.0 MM
Height	42.0 MM
Depth	175.00 MM
Weight	.7kg

Front View



Rear View



Title: Mechanical Drawing of VCL-2724, Parallel Redundancy Protocol Switch



Drawing No:
EMD-2724/PRP/002

Date	Rev	Sheet	01
Nov 09, 2021	02	Next Sheet	02

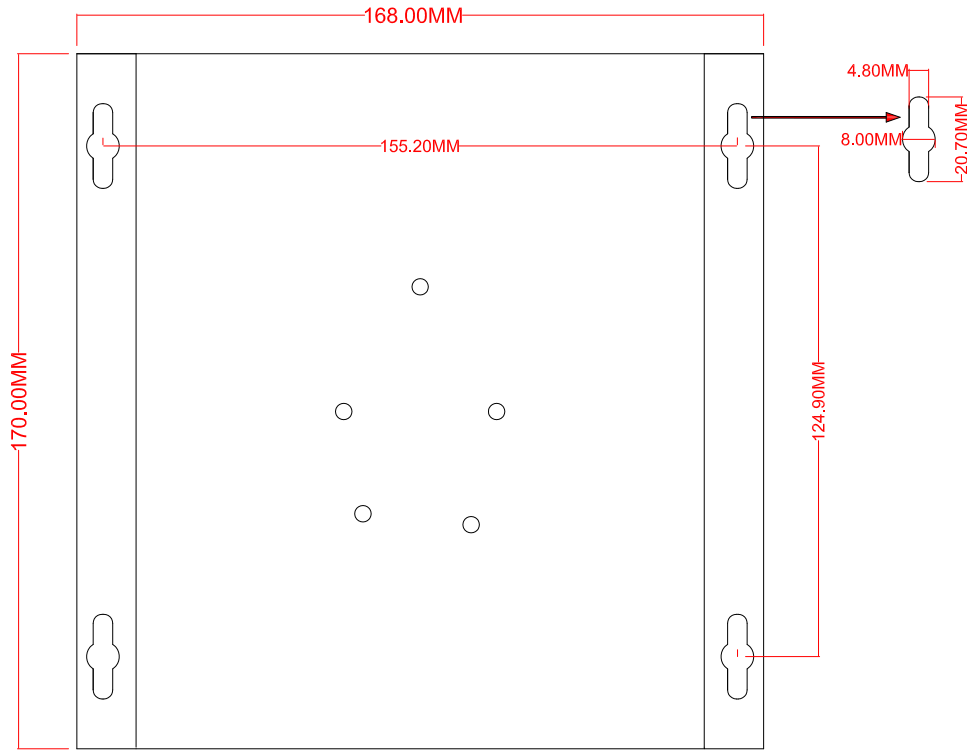
The Drawing and any information or descriptive matter set out hereon are the confidential property of Valiant Communications and must not be disclosed, loaned, copied, used for manufacturing, tending or any other purpose without their written permission.

APPR.
CHECK
DATE
REVISION
REVISION
CHECK
CHECK
NAME
DATE
REVISION

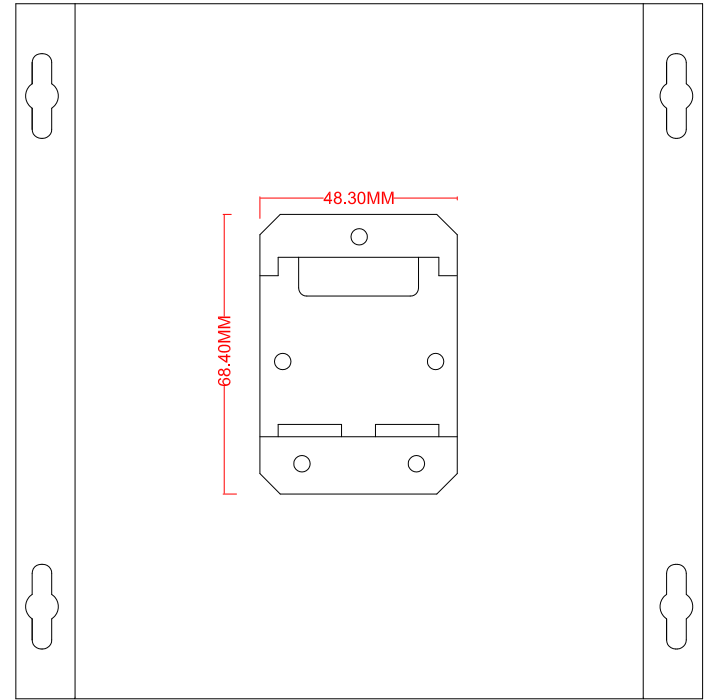
The Drawing and any information or descriptive matter set out hereon are the confidential property of Valiant Communications and must not be disclosed, loaned, copied, used for manufacturing, tending or any other purpose without their written permission.

Mechanical Drawing of VCL-2724, Parallel Redundancy Protocol Switch

VCL-2724 Bottom View	
Mechanical Dimensions	
Width	168.0 MM
Height	170.0 MM



Bottom View



Bottom View with DIN Rail

Title: Mechanical Drawing of VCL-2724, Parallel Redundancy Protocol Switch



Valiant
Communications

Drawing No:
EMD-2724/PRP/002

Date	Rev	Sheet	02
Nov 09, 2021	02	Next Sheet	END