

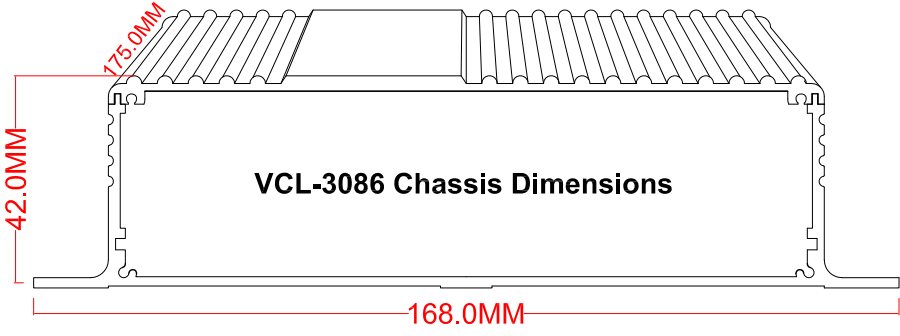
REVISION
DATE
NAME
CHECK
CHECK
CHECK
DATE
REVISION
DATE
CHECK
CHECK
CHECK
APPR.

The Drawing and any information or descriptive matter set out herein are the confidential property of Valiant Communications and must not be disclosed, loaned, copied, used for manufacturing, tending or any other purpose without their written permission

1 2 3 4 5 6 7 8 9 10 11 12 13 14 15

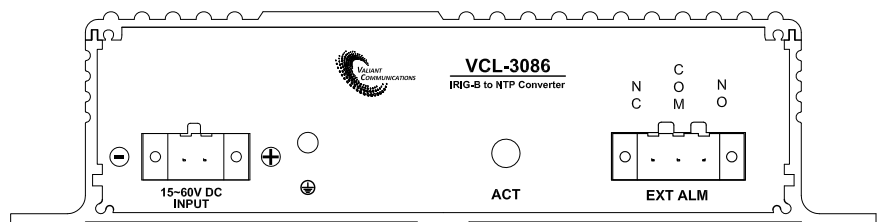
A B C D E F G H J K

Mechanical Drawing of VCL-3086, IRIG-B to NTP Converter

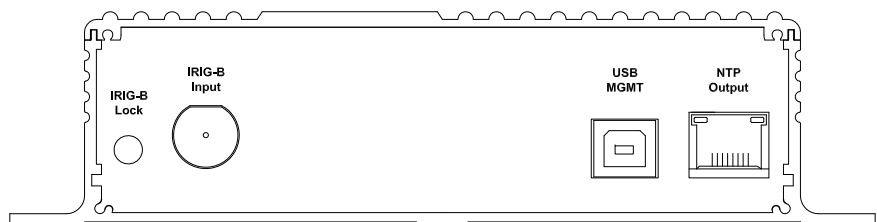


VCL-3086	
Mechanical Dimensions	
Width	168.0 MM
Height	42.0 MM
Depth	175.0 MM
Weight	0.7Kg

Front View



Rear View



Title: Mechanical Drawing of VCL-3086, IRIG-B to NTP Converter



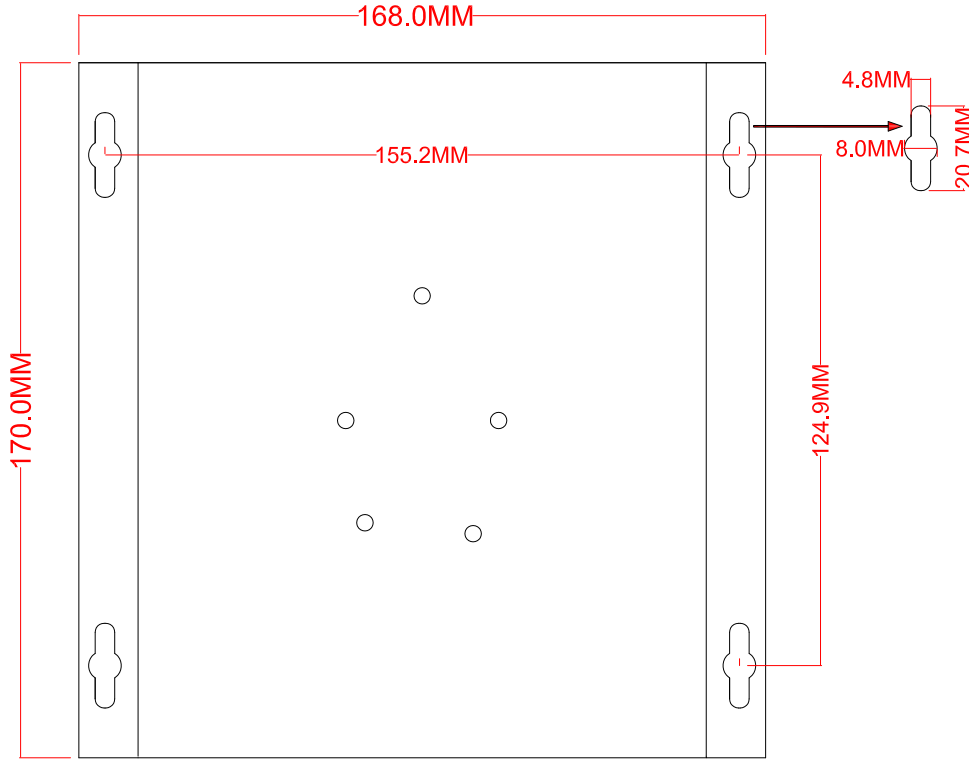
Drawing No: EMD-3086/IRIG-B/NTP/01

Date	Rev	Sheet	01
Feb 26, 2024	01	Next Sheet	02

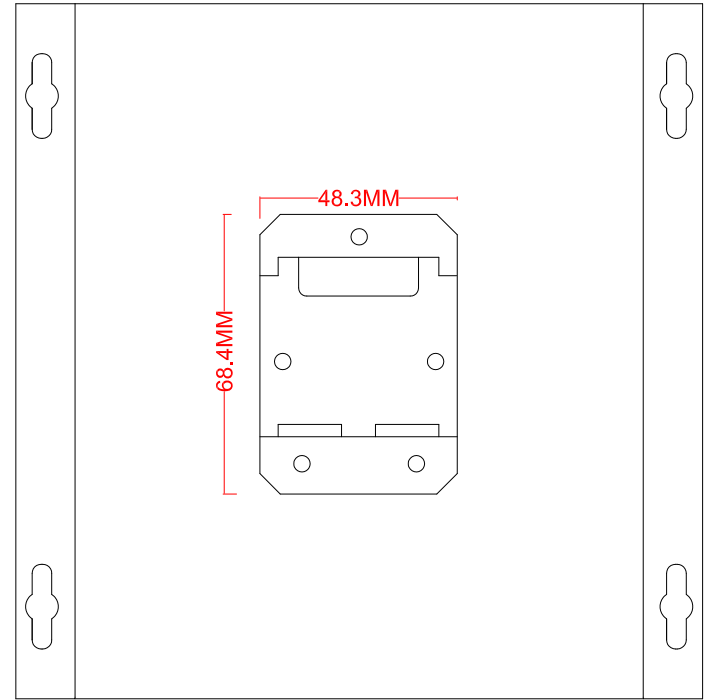
K

Mechanical Drawing of VCL-3086, IRIG-B to NTP Converter

VCL-3086 Bottom View	
Mechanical Dimensions	
Width	168.0 MM
Height	170.0 MM



Bottom View



Bottom View with DIN Rail

Title: Mechanical Drawing of VCL-3086, IRIG-B to NTP Converter (Bottom View)



Valiant
Communications

Drawing No:
EMD-3086/IRIG-B/NTP/02

Date	Rev	Sheet	02
Feb 26, 2024	02	Next Sheet	END